

# *Duchy 27*



THE DUCHY 27



# DUCHY MOTOR LAUNCHES

---

## Duchy 27

Do you own a waterside home and enjoy relaxing on the water with family and friends? Do you seek the polished styling and relaxed handling of a custom build without the high-end price tag? Then look no further than the Duchy 27.

Classically designed, handcrafted, semi-production vessels, Duchy Motor Launches are created by skilled craftsmen who combine the traditions of the shipwright with modern luxury, technology and performance.

Built from low-maintenance composites, you customise the interior to create something that is distinctly yours; tailored to meet your precise requirements. From custom-made stainless steel fittings, the choice of timber for the interior joinery and upholstery fabric to custom crockery and powering options, we ensure that your Duchy is exactly what you want it to be – a classic yacht for a modern world that chimes perfectly with your way of life. You also join a discerning group of Duchy owners and become part of the Cockwells family.

## PRINCIPAL DIMENSIONS

LOA	8.2m / 27ft	AIR DRAUGHT	0.9m / 2ft 11in
LWL	7.8m / 25ft 7in	DISPLACEMENT	3.25 tonnes
BEAM	2.8m / 9ft 2in	FUEL CAPACITY	263 litres
DRAUGHT	0.85m / 2ft 9in	ENGINE	Nanni 200hp

## SPECIFICATION INCLUDES

---

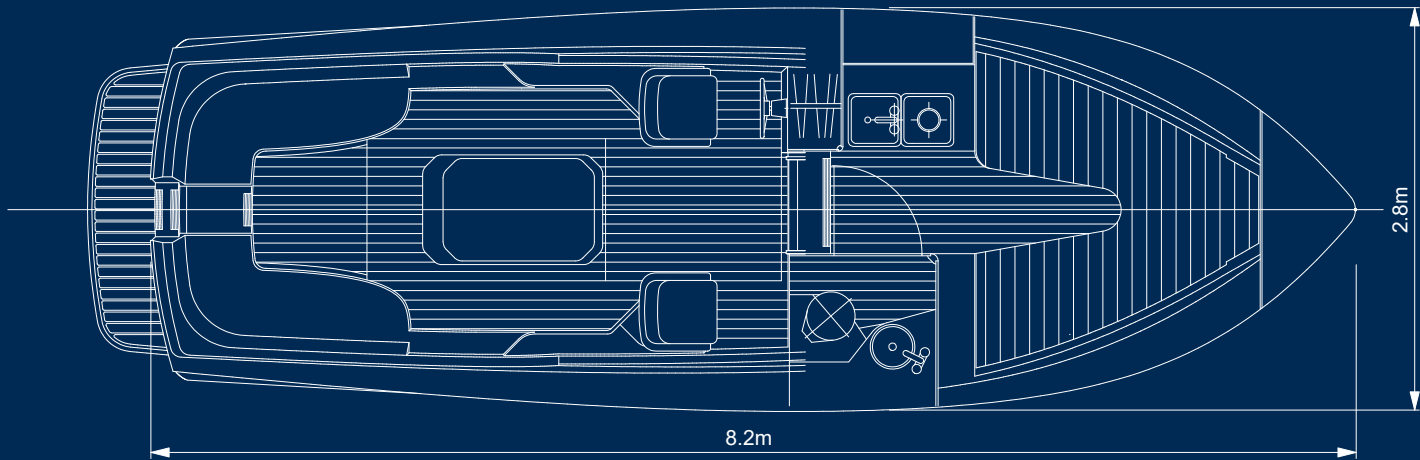
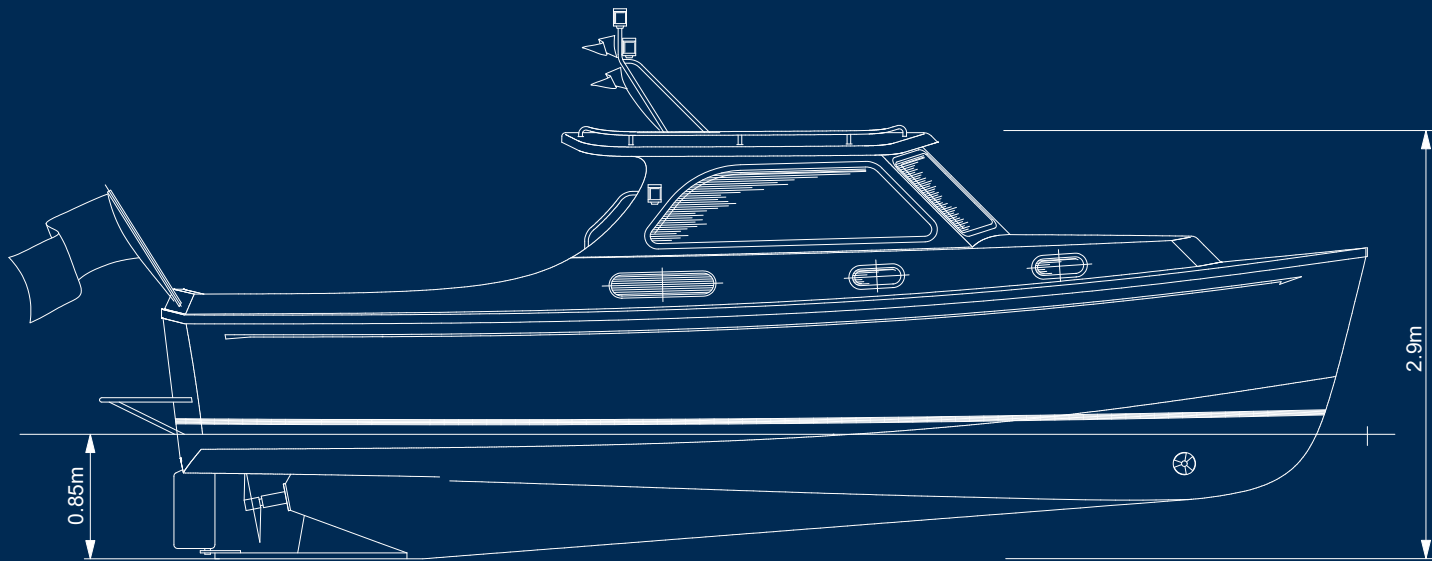
Sleeping accommodation for two (headroom approx 1.45m / 4ft 10in)  
Enclosed heads compartment with wash basin and sit-down shower  
Galley with single burner gas hob and sink (with full headroom)  
Spacious semi-enclosed wheelhouse with good all-round visibility  
Four opening portholes and three opening hatches  
Waterproof Sunbrella upholstery for the interior and exterior seating  
Teak-laid decks throughout including cockpit sole

Adjustable helm seat and navigator's seat  
Walk-through transom leading to bathing platform and swimming ladder  
Comprehensive safety rails and handrails  
Low-maintenance GRP hull, deck and interior mouldings  
Maximum speed of 24 knots and cruising speed of 20 knots  
Teak and holly effect cabin sole  
High quality joinery throughout  
Electric toilet  
VHF radio

## OPTIONAL EXTRAS

---

Bowthruster  
Electric windlass controlled from the helm position  
Simrad navigaton package including chart plotter, radar, GPS, autopilot, speed and depth  
Search light  
Refrigerator with icebox in cockpit  
Hot running water  
Additional bespoke joinery  
Beaching legs  
Leather seating  
Cockpit bed  
Deck shower





# COCKWELLS

## DUCHY 27

---

A weekender for two or a picnic boat for up to six guests, this classic gentleman's launch combines the luxury of a day boat with the sea-keeping qualities for which our boats are renowned. What's more, we can customise it to your exact specifications and include any number of optional extras.

Rich teak decking, exquisite bespoke joinery, custom-made stainless steel handrails and leather seating add a touch of luxury to the expansive cockpit that provides room to relax and entertain. Swimming is made easier with a walk-through transom that leads to a bathing platform and ladder. Recline on the waterproof upholstery to dry off in style. Take a hot shower. Add the cockpit cover when skies turn grey. Sip something chilled from the fridge whilst you prepare a gourmet supper on the gas hob. The possibilities of life aboard a Duchy 27 that is uniquely yours are endless.

An extremely versatile launch that can comfortably navigate the coasts of England, France and the Channel Islands, even in rough seas, the Duchy 27's potent 200hp diesel engine also offers excellent fuel efficiency.

