

Duchy 45



THE DUCHY 45

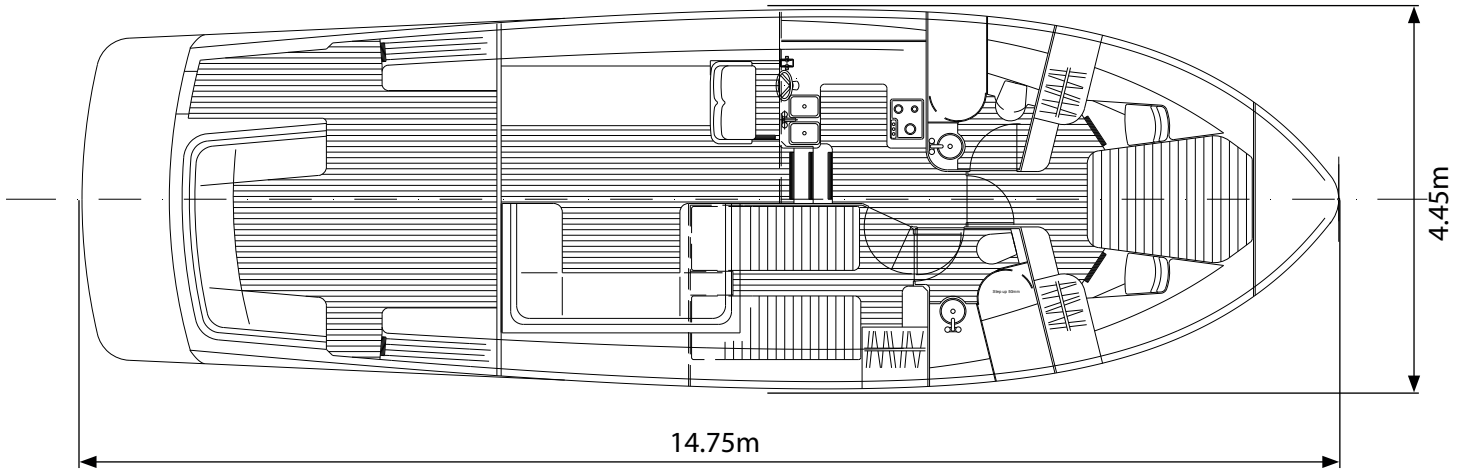
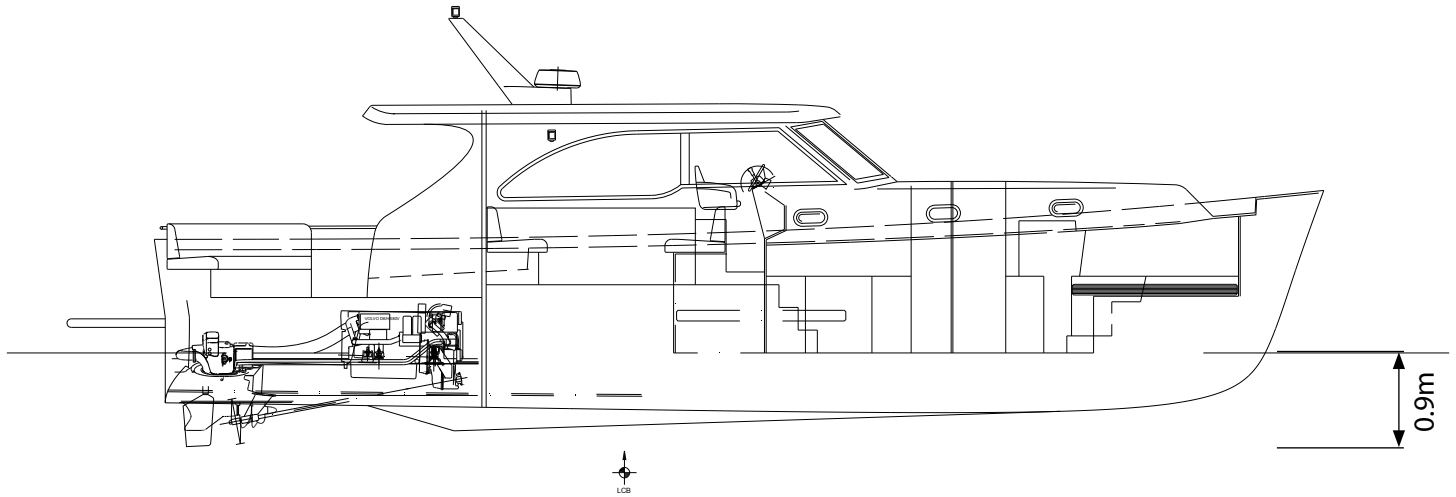
DUCHY MOTOR LAUNCHES

Duchy 45

*Duchy
45*

Year launched	Coming soon
Hull construction	Composites
Length overall	14.75m / 48ft
Length waterline	12.9m / 42ft 4in
Beam (max)	4.45m / 4ft 7in
Design draft	0.9m / 2ft 11in
Engine	Twin 435mhp IPS Volvo
Maximum speed	32 knots







COCKWELLS

THE DUCHY 45

A spacious and highly accessible luxury weekender/family cruiser, the Duchy 45 combines superb seakeeping with elegant lines and is ideal for all levels of experience – from the seasoned sailor who wishes to undertake longer voyages to the young family seeking fun on the water.

With an expansive saloon and cockpit that provides ample space for up to twelve day guests and with two luxurious double berths, this design also offers additional flexibility in that you can select the layout that best suits your needs.

The Duchy 45 can provide double en-suite master accommodation, an en-suite guest cabin with either a twin or double berth, and a galley with large saloon down below. Alternatively, there is the option to move the galley up and replace it with an additional single or twin cabin for friends, children or crew.

Cockwells' in-house team and Andrew Wolstenholme have designed the Duchy 45 to incorporate excellent seakeeping with a high-quality finish and maximum style, whichever layout and bespoke features you require.

COCKWELLS | +44 (0)1326 377 366 | INFO@COCKWELLS.CO.UK | WWW.COCKWELLS.CO.UK